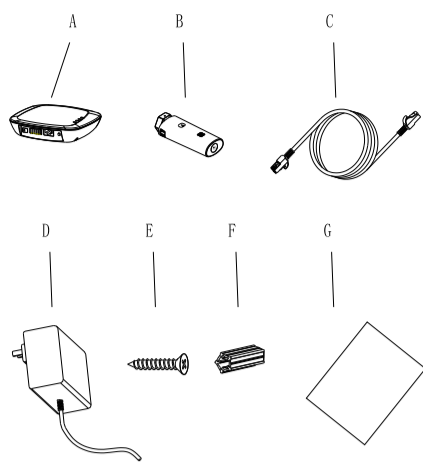


Step1. Unpacking

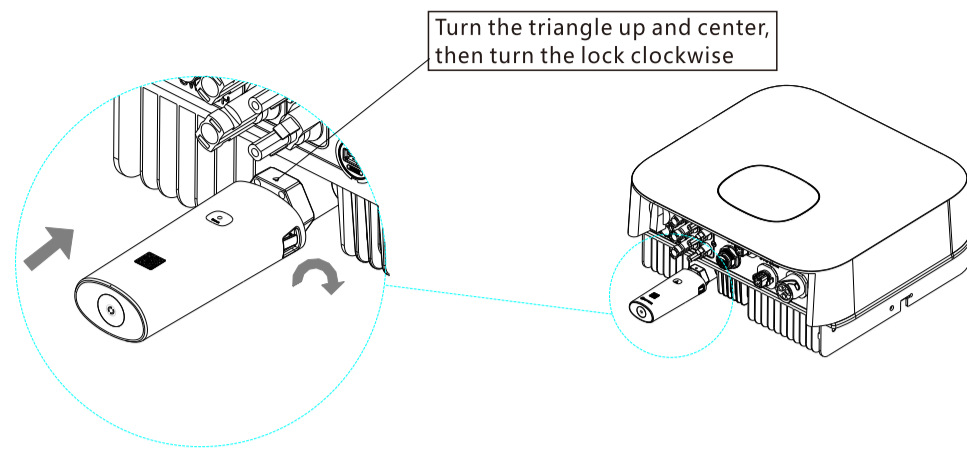
Unpack the box and take out ShineLanBox, ShineRFStick-X and other accessories, list as following.



| Item | Name | Quantity |
|------|--------------------|----------|
| A | ShineLanBox | 1 |
| B | ShineRFStick-X | 1 |
| C | Network cable | 1 |
| D | Power adapter | 1 |
| E | Fixing screws | 2 |
| F | Wall plastic posts | 2 |
| G | User manual | 1 |

Step2. Electrical connection

1. Rotate the USB cover of the photovoltaic device counterclockwise.
2. Rotate the datalogger locker on the upper, make sure the triangle is on the front side and in the middle.
3. Connect the datalogger to the inverter USB port, make sure the triangle is on the front side, press the locker and rotate clockwise until it is tighten.



Growatt ShineLink-X Quick Installation Guideline

For more info, please download from <http://server.growatt.com>

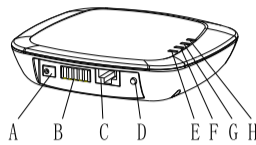
T +86 755 2747 1942 F +86 755 2747 2131

E service@inverter.com W www.growatt.com

- Some advantages of installing the datalogger and keeping it online:
1. Real time monitoring:
Get the health status of the PV plant;
Receive the regularly reminder like daily reports, monthly reports and other free services.
 2. Intelligent Operation and Maintenance:
Get the one-click diagnosis function to easy the troubleshooting;
Support the remote upgrade and parameters setting.

After the installation, if the LED light of ShineRFStick-X flash quickly, it means installation works. If the LED light is off, please recheck the connection between ShineRFStick-X and inverter.

ShineLanBox Electrical Connection



| Item | Name | Description |
|------|-------------------|------------------------------|
| A | Power input | Connect to the power adaptor |
| B | RS 485 | Resaved |
| C | RJ 45 | Connect to the network |
| D | Key | Function key |
| E | Configuration LED | Configuration the device |
| F | Device LED | Device number connected |
| G | Network LED | Connecting the network |
| H | Power LED | Connecting the power |

Connect ShineLanBox's RJ45 port to the router, then plug in ShineLanBox with power adaptor. After initialization of ShineLanBox, the power LED is on, the network LED is on and the device LED flashing frequently. The power LED is on means it connected to power supply, the network LED is on means ShineLanBox connected to internet, the flashing of Device LED means device works, the time of flashing means the number of RF.

| ShineRFStick-X's LED status | Status of the ShineRFStick-X |
|------------------------------------|----------------------------------|
| Always on | The ShineRFStick-X is initialing |
| Always off | Loose connection |
| Flashing quickly(every 0.2 second) | USB port find the inverter |
| Flasing slowly(every 1 second) | Connection works |

| ShineLanBox LED lights | Status of working condition |
|------------------------|---|
| Power light | The light is on means power is on |
| Web light | Flashing means connect to router, on means connect to web |
| Device light | Time of frequently flashing means the number of device connect to ShineLanBox |
| Paired light | Flashing when pairing, go off if pairing successes |

Step3. Use ShineLink-X

1. You can go to Google Store or App Store to find "Shinephone" or scan below QR code to install the software.

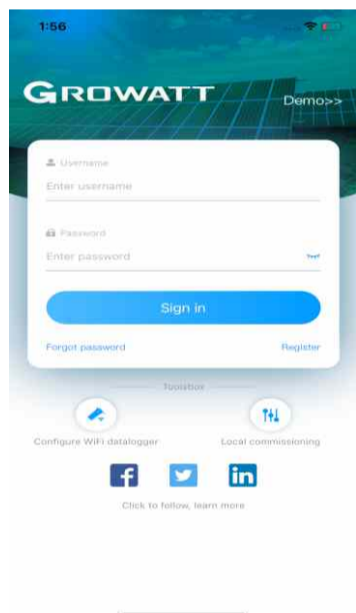
Note: 1. Make sure you install the newest version.

2. For more information please visit server.growatt.com.

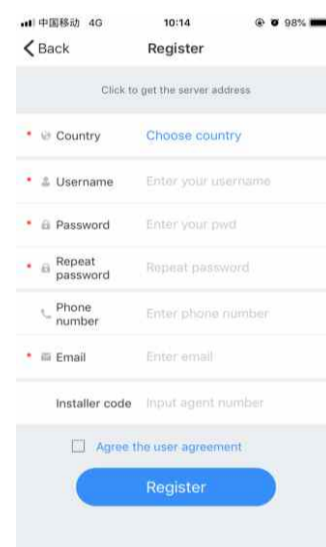


[Android&iOS]

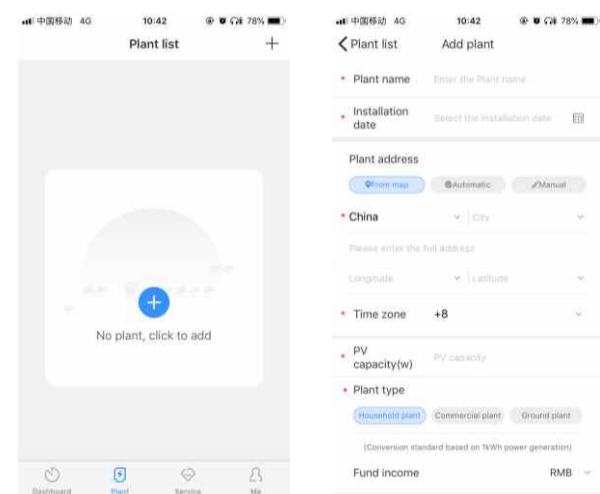
2. After installed ShinePhone App, get into log in, click the register and then go to the page register.



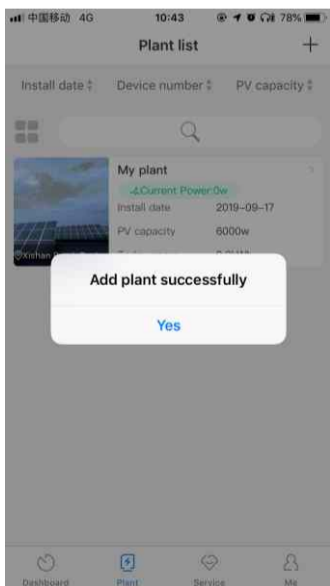
3. Select the country and city according to the actual address, and the wrong selection will result in incorrect time for uploading data. Fill in the user information, click "Register" after completing the registration, and automatically log to the "Power Station List" page after successful registration.



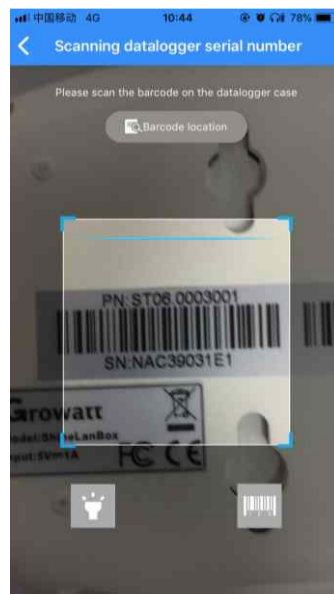
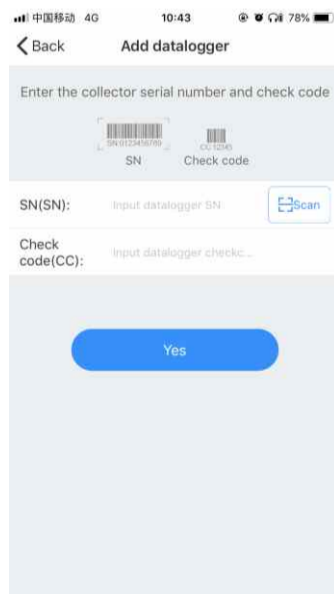
4. Click the "+" button to enter the "Add Power Station" page, enter the plant information, click below to confirm. After successful addition, it will automatically jump to the power station list page.



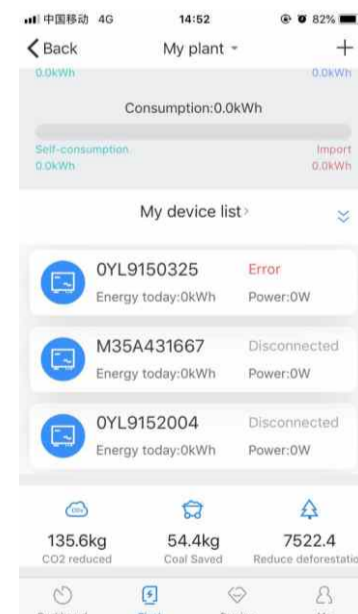
5. Click the equipment power station to enter the power station page on the power station list page, click the "+" in the upper right corner to add the collector operation.



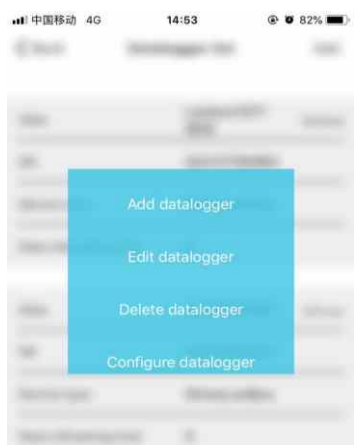
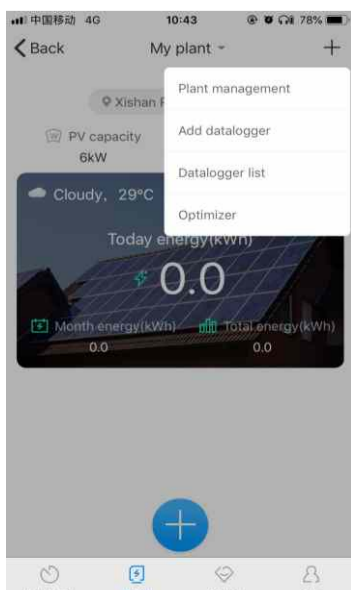
6. Click on the scan code on the Add Collector page, and add the collector by scanning the code to collect the barcode.)



7. In my plant you can monitor all the devices to check solar device's information.



8. If you need to add, inspect or delete datalogger and plant, please click the "+" at the top right corner. Note: After you successfully add the datalogger you can see the ShineLanBox's conditions, if you can not find ShineLanBox please check the status of LED light to find out the trouble.



Tips1 Add new ShineRFStick-X device

Note: Only after resetting ShineLanBox or add new ShineRFStick-X then you need pairing ShineLanBox and ShineRFStick-X, all the devices will be paired when manufactured.

Quick press ShineRFStick-X (in less than 2 seconds), then quickly press ShineLanBox's button, you can enter pairing mode, at this point ShineLanBox's pairing light is flashing, ShineRFStick-X's Blue light flashing quickly, if pairing is successful, ShineLanBox's pairing light is off, ShineRFStick-X Blue web light change to slow flashing. (the light is on for one second, and off for a second.)

Note: The longest connection distance between ShineLanBox and ShineRFStick-X should be no more than 200 meters, if there is a wall between ShineLanBox and ShineRFStick-X the longest connection distance is 50 meters, if there are two walls between ShineLanBox and ShineRFStick-X the longest connection distance is 20 meters.

Tips2 Reset ShineLanBox

Purpose of resetting collector:

- (1) Erase all the pairing records
- (2) ShineLanBox IP changes to Automatic

Steps of resetting collector:

Press ShineLanBox button for more than 6 seconds, until all the four LED lights are on, then release the button, at this time all the setting had been erased. After resetting need repairing ShineLanBox and ShineRFStick-X, please refer to Tips1 above.