

Inverter matching list

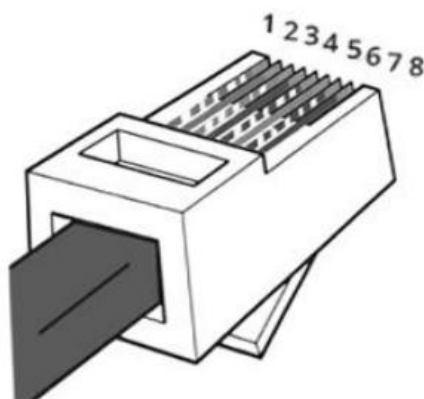
We Felicity hereby authorize

*Low voltage battery packs are compatible with the following
brands of inverters*

<i>CAN/RS485 Matched Hybrid Inverter Brands</i>			
<i>Brand</i>	<i>Model No.</i>	<i>Communication protocol</i>	<i>Cable Supply</i>
<i>Felicitysolar</i>	<i>IVEM series IVGM5048 IVGM10048 IVGM15048 IVPS/IVPM/IVPA series</i>	<i>RS485</i>	<i>Rj45</i>
<i>Deye</i>	<i>SUN- 3 / 3.6 / 5 / 6 K-SG04LP1-EU. SUN- 3.6 / 5 / 6 K-SG03LP1-EU. SUN- 3.6 / 5 / 6 / 7.6 / 8 K SG05LP1-EU. SUN- 5 / 6 K-SG01LP1-US. SUN- 7.6 / 8 K-SG01LP1-US/EU. SUN- 5 / 6 / 8 / 10 / 12 K SG04LP3-EU. SUN-12 / 14 / 16 K-SG01LP1-EU.</i>	<i>RS485/CAN</i>	<i>Rj45</i>
<i>Luxpower</i>	<i>LXP 3.6K/4.6K/5K Hybrid LXP 3600 ACS series.</i>	<i>RS485</i>	<i>Rj45</i>
<i>Growatt</i>	<i>SPF 3500 ES / SPF 5000 ES</i>	<i>RS485/CAN</i>	<i>Rj45</i>
<i>Voltronic</i>	<i>Infini Solar V IV TWIN 6/6.5/ 8kw Axpert VM III Axpert VM IV Axpert MKS III Axpert MKS IV Axpert MAX Axpert MAX II</i>	<i>RS485</i>	<i>Rj45</i>

<i>Sunsynk</i>	SUNSYNK-3.6/5/8K-SG01LP1 SYNK-8/10/12K-SG04LP3 SUNSYNK MAX	RS485	Rj45
<i>Megarevo</i>	R8KLNA R7K6LNA R6KLNA R5KLNA	RS485/CAN	Rj45
<i>Victron</i>	Only LPBA48100-OL and EC series battery can communicate directly. Other series of batteries need to communicate with our communication box.	CAN	Rj45
<i>SRNE</i>	HF4830S60-H/HF4850S80-H HF4835U60-H/HF4850U80-H HF4850S80 -145 HF4830U60 -145/HF4835U80 -145	RS485	Rj45
<i>Solis</i>	S6-EH1P(3-6)K-L-EU S6-EH1P8K-L-PRO	CAN	Rj45
<i>MPPsolar</i>	PIP-MT SERIES U-GK/U-MS SERIES PIP-MKX SERIES PIP-MAX SERIES PIP-MGX SERIES PIP-MK SERIES PIP-GK SERIES	RS485	Rj45
<i>Afore</i>	AF(3-6)K-SL	CAN	Rj45

The corresponding communication pins are defined in the following table. You can make communication cables according to this table.



(1) RS485 Protocol pins defined.

	NO.	Felicitysolar	Deye	LuxPower	Growatt	Voltronic	MegaRevo	SRNE	Mppsolar
RS485	Pin1	GND	RS485B	RS485B	RS485B	×	×	×	×
	Pin2	×	RS485A	RS485A	RS485A	×	×	GND	×
	Pin3	×	GND	×	×	RS485B	×	×	×
	Pin4	×	×	×	×	×	×	×	RS485-A
	Pin5	RS485B	×	×	×	RS485A	×	×	RS485-B
	Pin6	RS485A	GND	×	×	×	×	×	×
	Pin7	×	RS485A	×	×	×	RS485A	RS485A	×
	Pin8	×	RS485B	GND	×	GND	RS485B	RS485B	GND

(2) CAN Protocol pins defined.

	NO.	Felicitysolar	Victron	Solis	Deye	MegaRevo	Growatt	Afore
CAN	Pin1	×	×	×	×	×	×	×
	Pin2	×	×	×	×	×	×	×
	Pin3	CAN_L	×	×	×	×	×	×
	Pin4	CAN_H	×	CAN_H	CAN_H	CAN_H	CAN_H	CAN_H
	Pin5	×	×	CAN_L	CAN_L	CAN_L	CAN_L	CAN_L
	Pin6	×	×	×	×	×	×	×
	Pin7	CAN_L (Just for EC and LPBA48100-OL)	CAN_H	×	×	×	×	×
	Pin8	CAN_H (Just for EC and LPBA48100-OL)	CAN_L	×	×	×	×	×

(3) For example, if you want to let our LPBA48100-OL battery to communicate with Victron inverter directly, you need to make a communication cable like the one below.

	NO.	Felicitysolar	Victron
CAN	Pin1	×	×
	Pin2	×	×
	Pin3	×	×
	Pin4	×	×
	Pin5	×	×
	Pin6	×	×
	Pin7	CAN_L	CAN_H
	Pin8	CAN_H	CAN_L

