

# EZ-NVR1B04

## 4 Channel Compact 1U 1HDD Lite H.265 Network Video Recorder



- New 4.0 user interface
- P2P remote surveillance, video play on mobile device
- 4-ch@1080p (30 fps), self-adaptive decoding capability
- Support for mainstream cameras of ONVIF and RTSP protocol
- Smart H.265+/Smart H.264+
- VGA/HDMI simultaneous video output, maximum resolution of HDMI is 1080p
- Remote configuration and management of IPCs, such as setting parameters, acquiring information and upgrading IPCs of the same model in batches
- DHCP (Dynamic Host Configuration Protocol), HTTP (Hypertext Transfer Protocol), NTP (Network Time Protocol) and DDNS (Dynamic Domain Name System)

### Series Overview

This network video recorder is a highly cost-effective product, providing functions such as local live view, multi-screen display, real-time storage on local HDD, fast operation by mouse, and remote management and control.

### Functions

#### New User Interface

Local and web interfaces adopt the new UI 4.0 style which is more consistent with users' habits. Functional modules are divided clearer and easier to understand.

#### Decoding (Smart H.265+/Smart H.264+)

Dahua smart encoding (H.265+/ H.264+) is the optimized implementation of (H.265/H.264) codec that uses a scene-adaptive encoding strategy, providing more efficiency in the encoding process and higher video quality, and reducing the cost of storage and transmission significantly.

This NVR supports the corresponding decoding.

### Security Center

Security Center provides a whole picture of device security and helps protect the NVR with security scan, attack defense, certificate management, audio and video encryption and security settings. Security warnings will be sent through many ways such as email, message, voice prompts.

### Scene

This NVR is suitable for places such as retail stores, families, courtyards and public areas.

**Technical Specification**

## System

Main Processor	Industrial-grade embedded processor
Operating System	Embedded Linux
Operation Interface	Web/operating in local GUI

## Video

Access Channel	4 channels
Network Bandwidth	80 Mbps for access, 80 Mbps for storage and 60 Mbps for forwarding
Resolution	8MP; 5MP; 4MP; 3MP; 1080p; 720p; D1; CIF
Decoding Capability	1-ch@8MP (30 fps) or 1-ch@5MP (30 fps) or 2-ch@4MP (30 fps) or 2-ch@3MP (30 fps) or 4-ch@1080p (30 fps)
Video Output	1 VGA/1 HDMI simultaneous video output, maximum resolution 1080p
Multi-screen Display	1/4
Third Party Camera Access	Onvif, RTSP

## Compression

Video	Smart H.265+; H.265; Smart H.264+; H.264
Audio	PCM; G711A; G711U; G726

## Network

Network Protocol	HTTP; HTTPS; TCP/IP; IPv4; IPv6; RTSP; UDP; NTP; DHCP; DNS; P2P
Mobile Phone Access	iDMSS (iOS); gDMSS (Android)
Access Standard	ONVIF (profile T/profile S/profile G); CGI; SDK
Browser	Chrome; IE9 or above; Firefox

## Record Playback

Multi-channel Playback	Up to 4 channels playback
Record Mode	Priority of record mode: Manual recording > alarm recording > motion detection recording > timed recording
Storage	Local HDD and network
Backup	USB device
Playback Function	1. Play, pause, stop, fast forward, fast backward, rewind, play by frame 2. Full screen, backup (cut/file), partially enlarge, audio on/off

## Alarm

General Alarm	Motion detection, privacy masking, video loss, PIR alarm, IPC alarm
Anomaly Alarm	Front-end device going offline, storage error, full storage, IP conflict, MAC conflict, login lock, network security anomaly
Alarm Linkage	Video recording, snapshot, log, preset, tour

## External Port

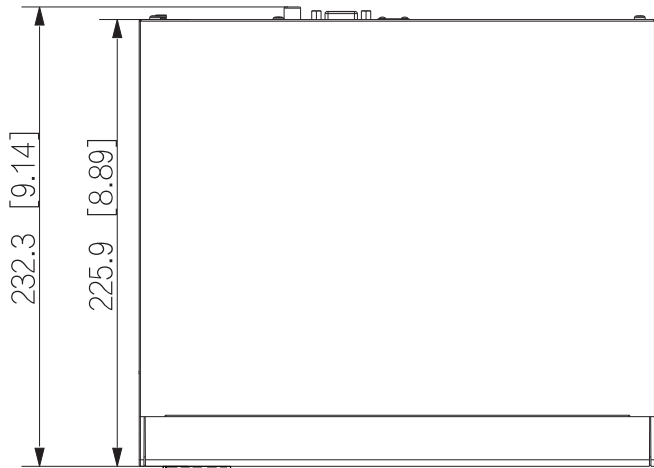
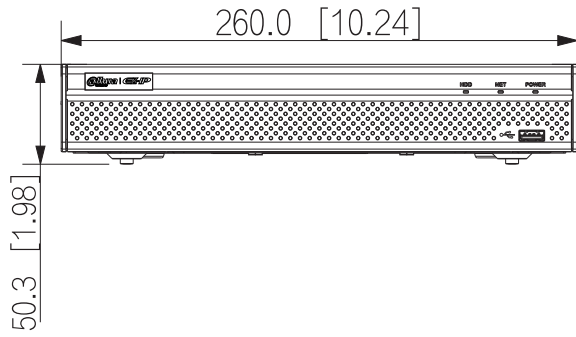
HDD	1 SATA 2.0 port, up to 8 TB for a single HDD. The maximum HDD capacity varies with environment temperature
-----	------------------------------------------------------------------------------------------------------------

USB	1 front USB 2.0 port, 1 rear USB 2.0 port
HDMI	1
VGA	1
RCA Input	1
RCA Output	1
Alarm	None
Network	1 RJ-45 port (10/100 Mbps)

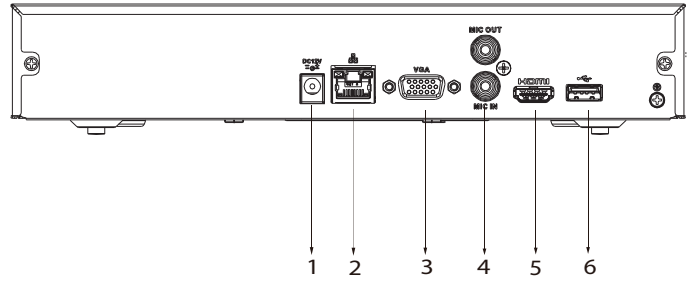
## General Parameter

Power Supply	DC 12V, 1.5A
Power Consumption	Total output of NVR is ≤ 10W (without HDD)
Net Weight	0.81 kg (1.79 lb)
Gross weight	1.38 kg (3.04 lb)
Product Dimensions	260 mm × 225 mm × 50.3 mm (W × L × H)
Box Dimensions	87 mm × 331 mm × 312 mm (W × L × H)
Operating Temperature	-10°C to 45°C (+34°F to +113°F)
Storage Temperature	0°C to 40°C (+32°F to +104°F)
Operating Humidity	10%~93%
Storage Humidity	30%~85%
Operating Altitude	3000 m (9843 ft)
Installation	Desktop mounting
Certification	CE LVD : EN 62368-1 CE EMC: EN55032 EN55024 EN55035 EN61000-3-2 EN61000-3-3

Dimensions (mm[inch])



Panels



- 1 Power Input
- 2 Network Port
- 3 VGA Port
- 4 AUDIO IN/OUT, RCA Connector
- 5 HDMI Port
- 6 USB Port