

EZ-HAC-B2A21-F2

2MP IR BULLET HDCVI CAMERA

HDCVI



- Max. 30fps@1080p
- CVI/CVBS/AHD/TVI switchable
- 2.8 mm fixed lens
- Max. IR length 20 m, Smart IR
- IP67, DC12 V



System Overview

EZ-IP Series offers simple and highly cost-effective HDCVI solutions. It offers 24/7 reliable monitoring with high-quality image performance, saving both product and labor costs. It is also highly guaranteed by Dahua quality standard.

Functions

4 Signals over 1 Coaxial Cable

HDCVI technology supports 4 signals to be transmitted over 1 coaxial cable simultaneously, i.e. video, audio*, data and power. Dual-way data transmission allows the HDCVI camera to interact with the XVR, such as sending control signal or triggering alarm. Moreover, HDCVI technology supports PoC for construction flexibility.

* Audio input is available for some models of HDCVI cameras.

Simplicity

HDCVI technology inherits the born feature of simplicity from traditional analog surveillance system, making itself a best choice for investment protection. HDCVI system can seamlessly upgrade the traditional analog system without replacing existing coaxial cabling. The plug and play approach enables high definition video surveillance without the hassle of configuring a network.

Smart Illumination

The camera is designed with IR illumination for best lowlight performance. Smart IR is a technology to ensure brightness uniformity in B/W image under low illumination. Dahua's unique Smart IR adjusts to the intensity of camera's infrared LEDs to compensate for the distance of an object, and prevents IR LEDs from overexposing images as the object come closer to the camera.

Long Distance Transmission

HDCVI technology guarantees real-time transmission at long distance without any loss. It supports up to 700m transmission for 2MP/5MP/8MP HD video via coaxial cable, and up to 300m via UTP cable.* *Actual results verified by real-scene testing in Dahua's test laboratory.

Multi-language OSD

OSD menu provides multiple image adjustments and function settings to meet the requirements of different monitoring scenes. The OSD menu includes configurations such as backlight mode, day/night, white balance, privacy mask and motion detect. The camera supports 11 languages for OSD menu, namely, Chinese, English, French, German, Spanish, Portuguese, Italian, Japanese, Korean, Russian and Polish.

Protection (IP67, wide voltage)

IP67: The camera passes a series of strict test on dust and soak. It has dust-proof function, and the enclosure can works normal after soaking in 1 m deep water for 30 minutes.

Wide voltage: The camera allows $\pm 30\%$ (for some power supplies) input voltage tolerance (wide voltage range), and it is widely applied to outdoor environment with instable voltage.

Technical Specification

Camera

Image Sensor	2MP CMOS
Max. Resolution	1920(H)×1080(V)
Pixel	2MP
Scanning System	Progressive
Electronic Shutter Speed	PAL: 1/25 s–1/100,000 s NTSC: 1/30 s–1/100,000 s
S/N Ratio	0.02Lux/F2.0, 30IRE, 0Lux IR on
Min. Illumination	> 65dB
Illumination Distance	20 m (65.6 ft)
Illuminator On/Off Control	Auto
Illuminator Number	2 (IR light)
Pan/Tilt/Rotation Range	Pan: 0°–360° Tilt: 0°–90° Rotation: 0°–360°

Lens

Lens Type	Fixed-focal
Mount Type	M12
Focal Length	2.8 mm
Max. Aperture	F2.0
Field of View	2.8 mm: H: 102°; V: 54°; D: 120°
Iris Type	Fixed iris
Close Focus Distance	2.8 mm: 0.5 m

	Lens	Detect	Observe	Recognize	Identify
DORI distance	2.8 mm	38.6 m (126.6 ft)	15.4 m (50.5 ft)	7.7 m (25.3 ft)	3.9 m (12.8 ft)

Video

Frame Rate	CVI: PAL: 1080p@25 fps;720p@25 fps NTSC: 1080p@30 fps; 720p@30 fps AHD: PAL: 1080p@25 fps;720p@25 fps NTSC: 1080p@30 fps; 720p@30 fps TVI: PAL: 1080p@25 fps;720p@25 fps NTSC: 1080p@30 fps; 720p@30 fps CVBS: PAL: 960H; NTSC: 960H
Resolution	1080p (1920 × 1080); 720p (1280 × 720) 960 H (960 × 576/960 × 480)
Day/Night	Auto switch by ICR
BLC	BLC/HLC/DWDR
WDR	DWDR
White Balance	Auto/Area WB
Gain Control	Auto
Noise Reduction	2D NR

Smart IR	Yes
Mirror	Off/On
Privacy Masking	Off/On (8 area, rectangle)

Certifications

Certifications	CE LVD : EN 62368-1 CE EMC: EN55032 EN55024 EN55035 EN61000-3-2 EN61000-3-3
----------------	---

Port

Video Output	Video output choices of CVI/TVI/AHD/CVBS by one BNC port
--------------	--

Power

Power Supply	DC12V±30%
Power Consumption	Max 2.7W (12V DC, IR on)

Environment

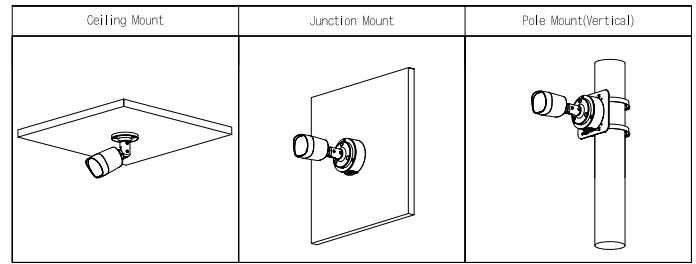
Operating Temperature	-40°C to +60°C (-40°F to 140°F); < 95% (non-condensation)
Storage Temperature	-40°C to +60°C (-40°F to 140°F); < 95% (non-condensation)
Protection Grade	IP67

Structure

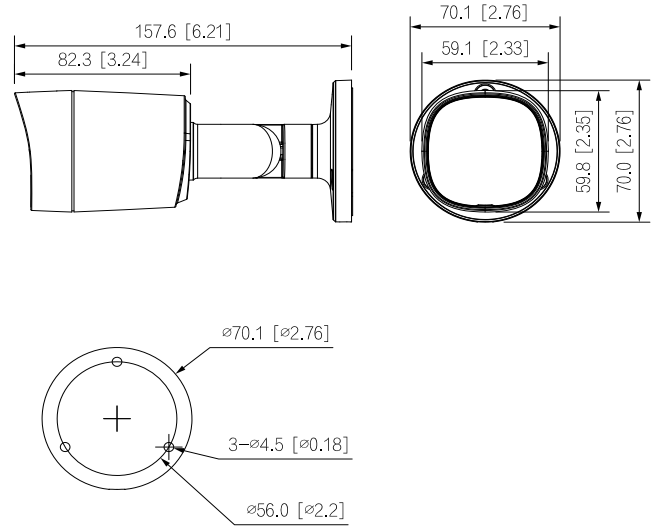
Casing	Aluminium
Camera Dimensions	157.6 mm×70.1 mm × 70.1 mm (6.21"×2.76" × 2.76")
Net Weight	0.24 kg (0.53 lb)
Gross Weight	0.34 kg (0.75 lb)

Ordering Information

Type	Part Number	Description
2MP Camera	EZ-HAC-B2A21-F2	2MP IR BULLET HDCVI CAMERA
Accessories (Optional)	PFA134	Junction box
	PFA152-E	Pole Mount Bracket
	PFM800-E	Passive HDCVI Balun
	PFM321D	12V 1A Power Adapter
	PFM904	Integrated Mount Tester



Dimensions (mm[inch])



Accessories

Optional:



PFA134
Junction Box



PFA152-E
Pole Mount Bracket



PFM800-E
Passive Video Balun



PFM321
12V 1A Power Adapter



PFM904
Integrated Mount Tester