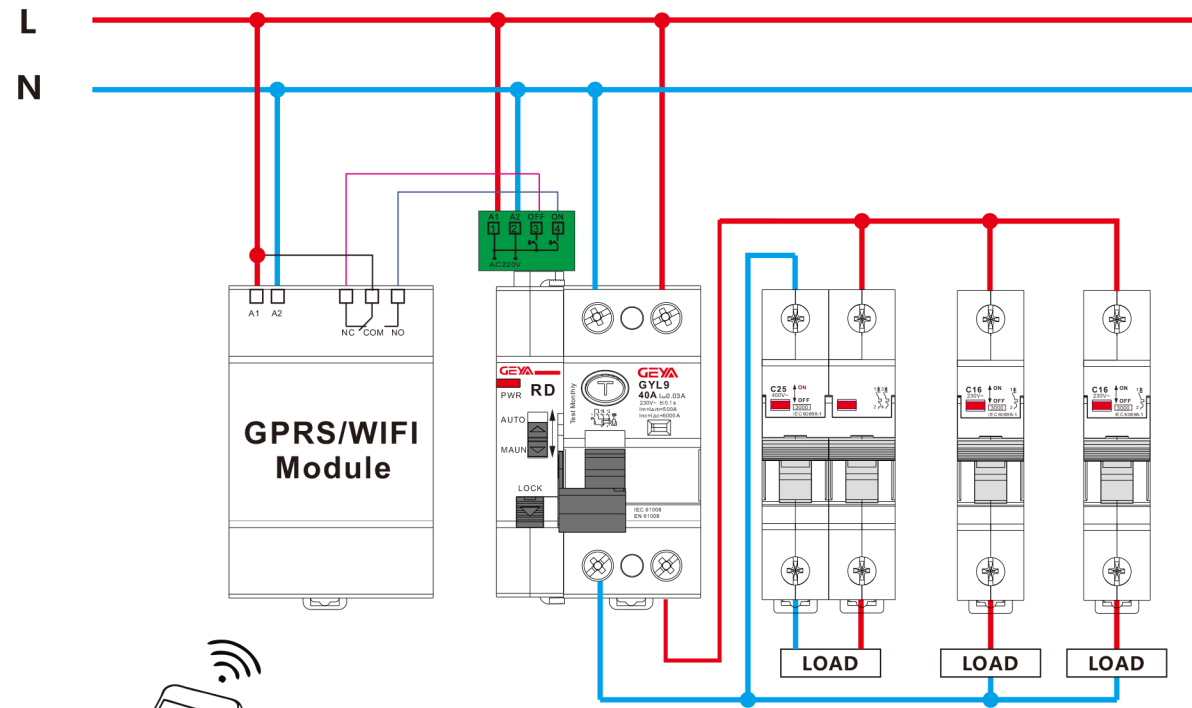
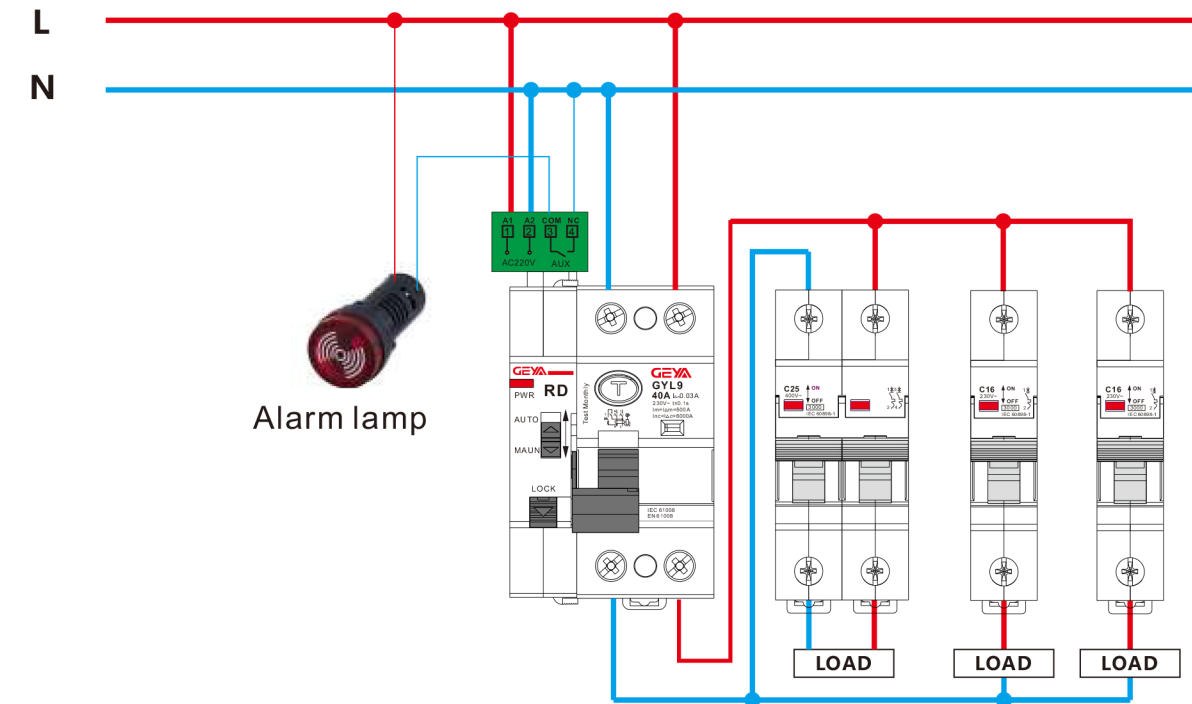


GRD9L-C



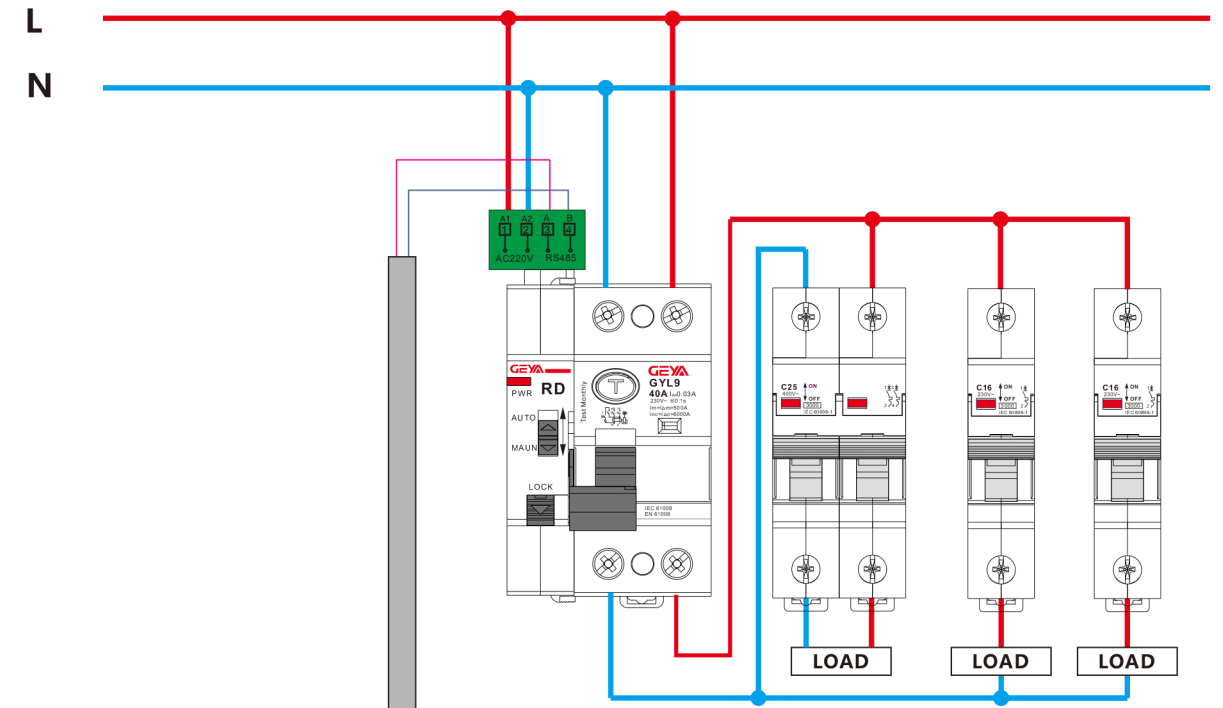
MCB/RCCB can be controlled by remote operation of mobile phone. Of course, MCB/RCCB can also be turned on or off by time control switch.

GRD9L-R



Alarm lamp

GRD9L-S



Programmable Logic Controller



RS485 Module

PC

